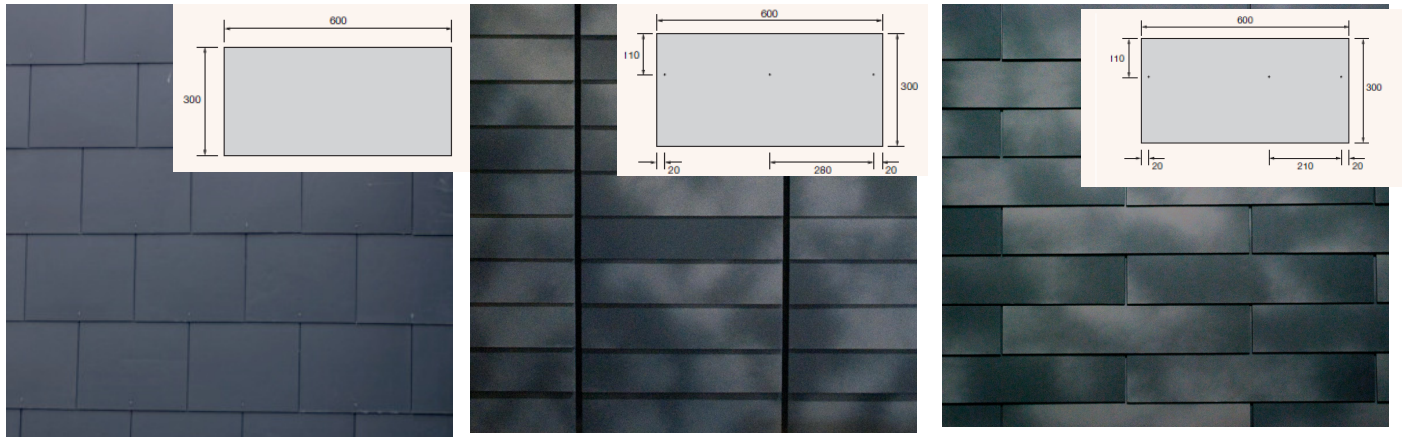


## Guidance notes for calculating Vertigo

- **Slate size**

600mm x 300mm



### **Traditional**

Traditional slate fixed with  
80mm long hook  
13.5 slates / m<sup>2</sup>

### **Panel**

Regular bond panels giving  
geometric precision  
12.9 slates / m<sup>2</sup>

### **Broken bond**

Staggered panels giving close  
boarded effect  
13.8 slates / m<sup>2</sup>

- **Fixings**

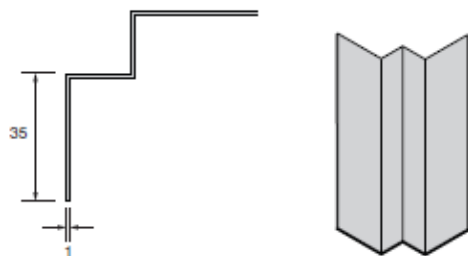
Traditional – 80mm slate hooks by others

Broken Bond & Panel – 3 No 30 x 2.65mm copper nails

- **Aluminium Trims**

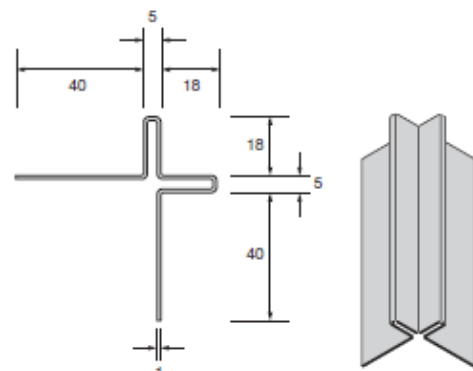
Black aluminium internal and external corner trims in 3m lengths

### **Corner profiles**



#### **Internal corner profile**

3m long lacquered anthracite coloured aluminium profile.

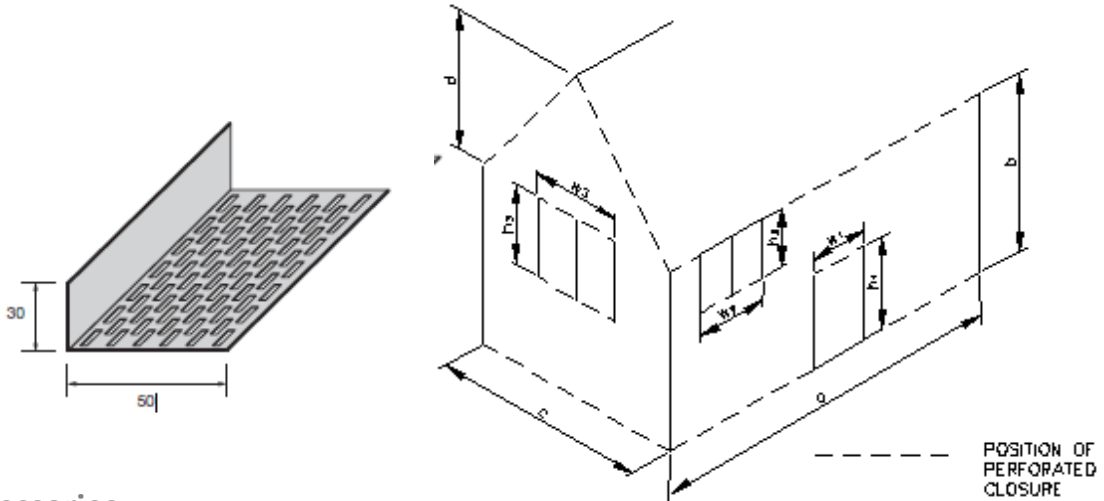


#### **External corner profile**

3m long anthracite coloured aluminium profile

- **Perforated closures**

50 x 30 x 2500mm – For use with battens up to 50mm thick.



- **Other accessories**

EPDM strip – for use with Panel layout



**Lipped EPDM strip**

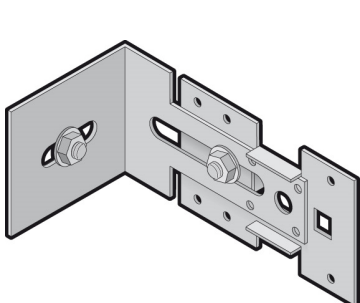
Width 45mm. Designed for intermediate, vertical timbers.



**Double lip EPDM strip**

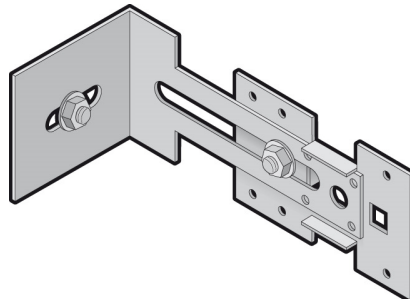
Width 90mm. Designed for open joints of a maximum of 20mm between the slates.

- **Vertigo fixing brackets**



**L100 bracket**

Galvanised steel bracket with adjustment of 110 to 170mm



**L150 bracket**

Galvanised steel bracket with adjustment of 150 to 210mm

When installing cladding with insulation, the vertical joists are fixed using slotted bracket sliders made of galvanised steel which can be adjusted to fit the thickness of the insulation.

The brackets and sliders are made of galvanised steel Z 275.

Installed at maximum 1.35m centres staggered on batten.